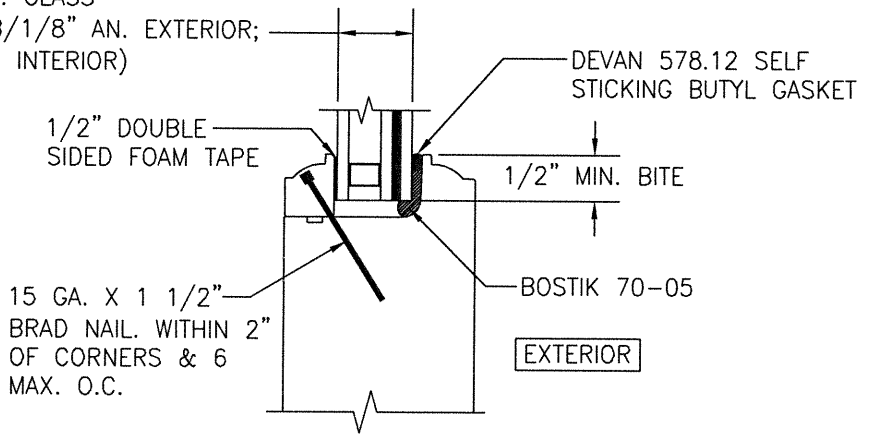


PELLA CORPORATION

102 MAIN STREET
PELLA, IA 50219
641-621-1000

PELLA ARCHITECT IMPACT WOOD IN-SWING DOOR

7/8" THICK LAMINATED I.G. GLASS
(1/8" AN./0.09 KURARAY BUTACITE PVB/1/8" AN. EXTERIOR;
5/16" SPACER; 3/16" TEMP. INTERIOR)



GLAZING DETAIL
(OPTION "A")